
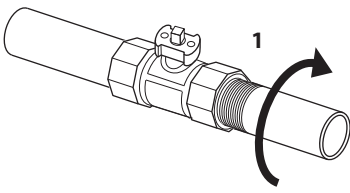


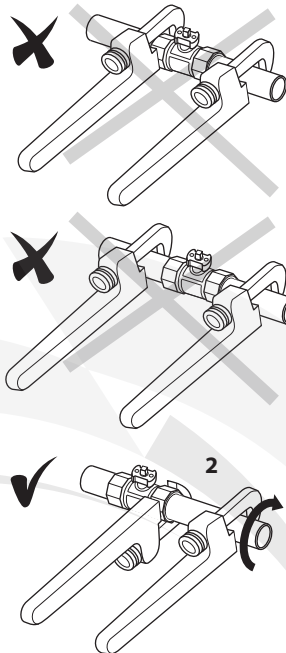
Valve, Ventil, Клапан, Ventil

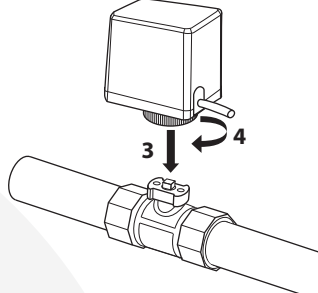
TW-A230

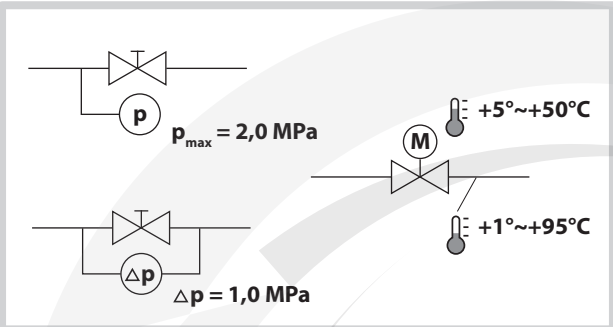


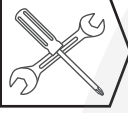
LUFBERG
CONSTRUCTIVE DECISIONS

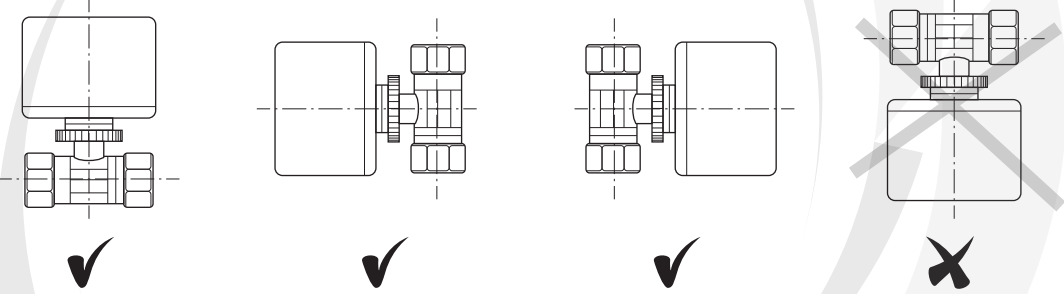



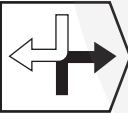
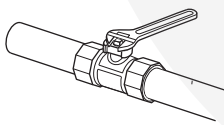










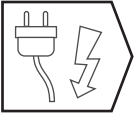
ZV2	0°, 180°	90°, 270°		
ZV3	0°	90°	180°	270°
ZV3A	0°	90°	180°	270°

Valve, Ventil, Клапан, Ventil

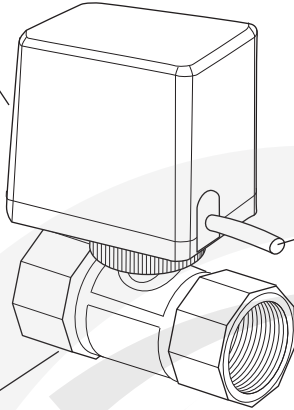
TW-A230



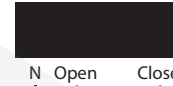
LUFBERG
CONSTRUCTIVE DECISIONS



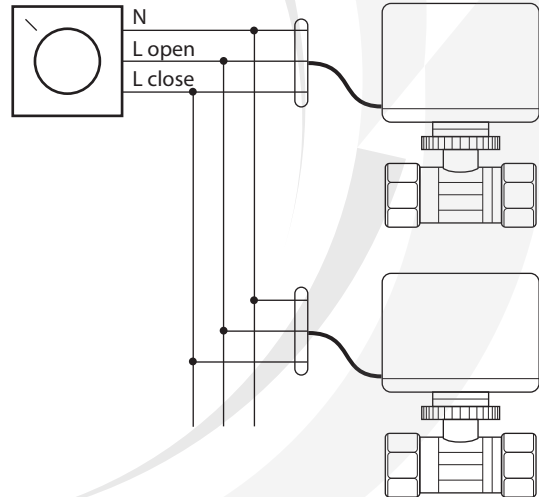
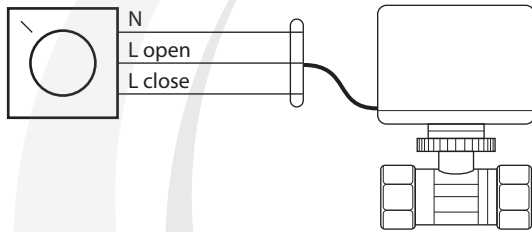
EA07-101



EA07-102 (1/2")
EA07-103 (3/4")
EA07-104 (1")



N Open Close
~ 24 V AC ± 10 %
L 230 V AC ± 10 %



All rights reserved.

The company Lufberg reserves the right to change technical specifications of product without previous announcement.

On these product was issued Declaration of conformity in accordance with those directives: the Low Voltage Directive 2014/35/EU, the Electromagnetic Compatibility Directive 2014/30/EU and Machinery Directive 2006/42/EC

Lufberg s.r.o., Pernerova 780, 56501, Chocen, Czech Republic E-mail: info@lufberg.eu

